

# MARS T1000 - T2000

Technical Specifications

## Effortless Towing Power

Designed to tow up to 2000 kg, this tugger AMR streamlines intralogistics with smart navigation, reliable performance.



### GENERAL INFORMATION

|                         |  |                          |                 |
|-------------------------|--|--------------------------|-----------------|
| <b>AMR Type</b>         | Tugger   | <b>Max Docking Speed</b> | 0.4 m/s         |
| <b>Payload Capacity</b> | T1000: 2200 lbs (1000 kg)<br>T2000: 4400 lbs (2000 kg) | <b>Docking Accuracy</b>  | ± 5 mm          |
| <b>Max Speed</b>        | 1.2 m/s  | <b>Navigation Type</b>   | SLAM Navigation |

### DIMENSIONS

|               |         |                         |                   |
|---------------|---------|-------------------------|-------------------|
| <b>Length</b> | 1351 mm | <b>Turning Radius</b>   | Turn in place     |
| <b>Width</b>  | 970 mm  | <b>Weight</b>           | 750 lbs ( 340 kg) |
| <b>Height</b> | 524 mm  | <b>Ground Clearance</b> | 30 mm             |

### SAFETY

|                          |                           |               |                       |
|--------------------------|---------------------------|---------------|-----------------------|
| <b>Performance Level</b> | PLd                       | <b>Bumper</b> | All four sides of AMR |
| <b>Emergency Stop</b>    | 2 x Emergency Stop Button |               |                       |

### POWER

|                                       |                                |                                   |   |
|---------------------------------------|--------------------------------|-----------------------------------|---|
| <b>Battery Type</b>                   | Li-Ion                         | <b>Voltage</b>                    | 48 V  |
| <b>Capacity</b>                       | T1000: 105 Ah<br>T2000: 150 Ah | <b>Charging Time (30% to 80%)</b> | 60 min  |
| <b>Max Discharge Rate</b>             | 2C                             | <b>Charging Options</b>           | Manual Charging<br>Autonomous Charging<br>Wireless Charging |
| <b>Run Time</b>                       | 8 Hours                        |                                   |   |
| <b>Number of Full Charging Cycles</b> | 5,000                          |                                   |   |

# MARS T1000 - T2000

## Technical Specifications

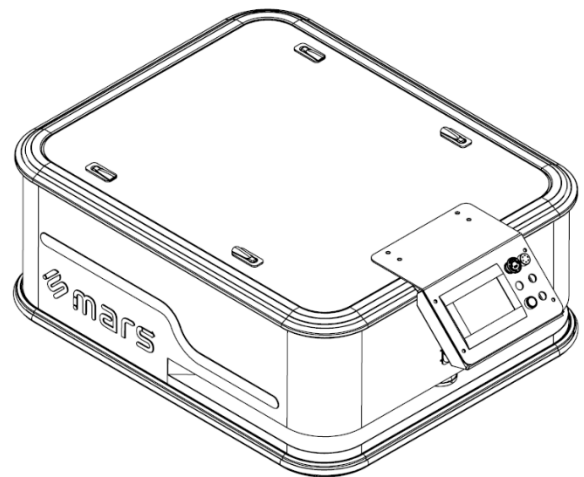
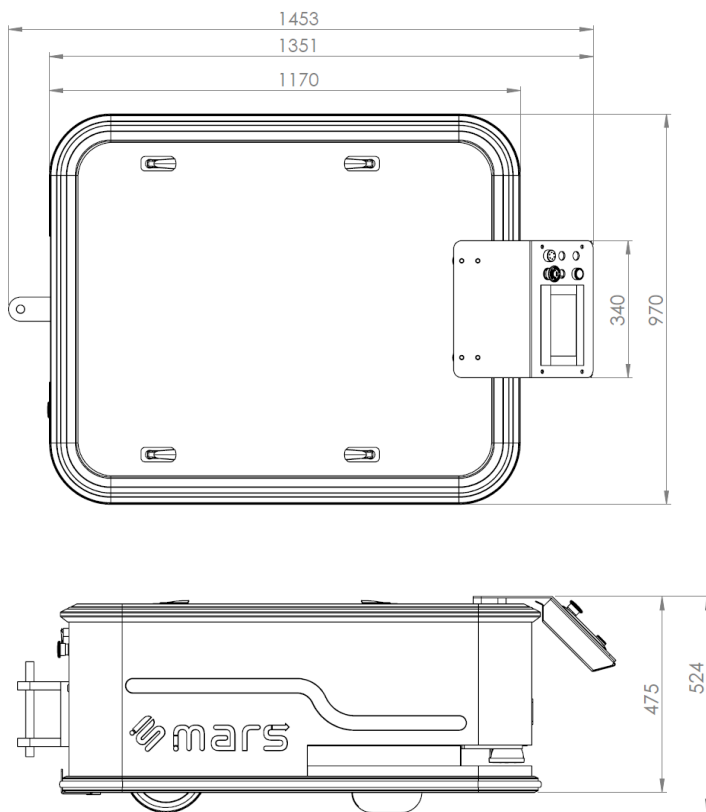
### ENVIRONMENT

**Environment** For indoor use only **Ambient Operating Temperature** 0°C to 50°C

### ATTACHMENT INTERFACE

|                         |  |                         |                     |
|-------------------------|--|-------------------------|---------------------|
| <b>Power Interface</b>  | 24 VDC, 10 A Regulated<br>48 VDC, 50 A Unregulated | <b>Safety Interface</b> | Dual Channel E-Stop |
| <b>Signal Interface</b> | Ethernet, USB                                      |                         |                     |

### TECHNICAL DRAWINGS



\*All dimensions are in mm.